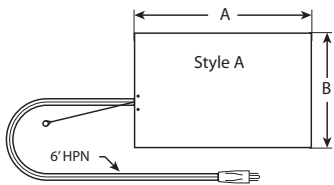


# Battery Heating Pads

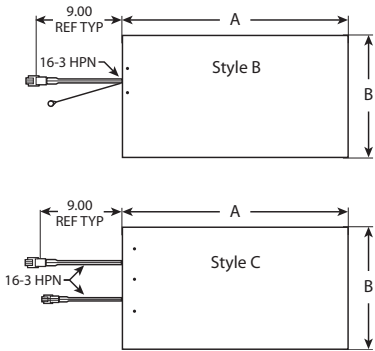


Battery heater not recommended for nickel cadmium batteries. When batteries are placed in an insulated battery box, a thermostat is recommended to sense battery box temperature to prevent overheating the battery.

## Standard Pad for Single Battery

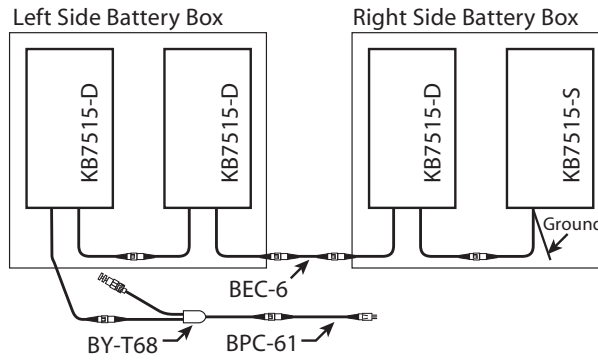


## Special Pads for Multiple Batteries



| Model Number | Volts | Watts | Amps | Nominal Dimensions |               | Battery Size | Style |
|--------------|-------|-------|------|--------------------|---------------|--------------|-------|
|              |       |       |      | A                  | B             |              |       |
| KB5015       | 120   | 50    | .42  | 13 (33cm)          | 8.25 (2.5cm)  | 4D           | A     |
| KB5015-S     | 120   | 50    | .42  | 13 (33cm)          | 8.25 (2.5cm)  | 4D           | B     |
| KB5015-D     | 120   | 50    | .42  | 13 (33cm)          | 8.25 (2.5cm)  | 4D           | C     |
| KB7515       | 120   | 75    | .63  | 19.5 (49.5cm)      | 10.5 (26.7cm) | 8D           | A     |
| KB7515-S     | 120   | 75    | .63  | 19.5 (49.5cm)      | 10.5 (26.7cm) | 8D           | B     |
| KB7515-D     | 120   | 75    | .63  | 19.5 (49.5cm)      | 10.5 (26.7cm) | 8D           | C     |
| KB7523       | 240   | 75    | .31  | 19.5 (49.5cm)      | 10.5 (26.7cm) | 8D           | A     |
| KB7523-S     | 240   | 75    | .31  | 19.5 (49.5cm)      | 10.5 (26.7cm) | 8D           | B     |
| KB7523-D     | 240   | 75    | .31  | 19.5 (49.5cm)      | 10.5 (26.7cm) | 8D           | C     |

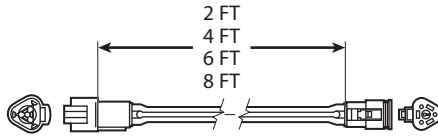
## Typical Connection - 2 Batteries on Each Side of Vehicle



## Accessories For Multiple Battery Heating

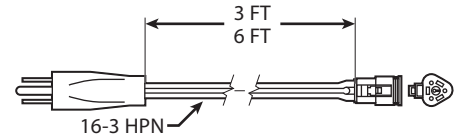
### EXTENSION CORDS

| Part Number | Length     |
|-------------|------------|
| BEC-2       | 2' (61cm)  |
| BEC-4       | 4' (122cm) |
| BEC-6       | 6' (183cm) |
| BEC-8       | 8' (244cm) |



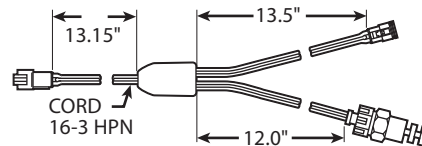
### POWER SUPPLY CORDS

| Part Number | Length     | Volts |
|-------------|------------|-------|
| BPC-31      | 3' (91cm)  | 120   |
| BPC-32      | 3' (91cm)  | 240   |
| BPC-61      | 6' (183cm) | 120   |
| BPC-62      | 6' (183cm) | 240   |



### THERMOSTAT & "Y" CORD ASSEMBLY

| Part Number | Temperature Control |             |
|-------------|---------------------|-------------|
|             | On                  | Off         |
| BY-T68      | 60°F (16°C)         | 80°F (27°C) |



### BATTERY THERMAL WRAP — NO THERMOSTAT

| Model Number | Volts | Watts | Length      |
|--------------|-------|-------|-------------|
| KBW5015-000  | 120   | 50    | 28" (71cm)  |
| KBW8015-000  | 120   | 80    | 36" (91cm)  |
| KBW16015-000 | 120   | 160   | 72" (183cm) |

Prolong the life of your battery with HOTSTART thermal battery wraps with or without thermostat.

- Durable, fire-retardant vinyl cover that resists oils and acids.
- All standard battery pads and battery wraps come with 6' (183cm) grounded cord and plug.
- Fast, easy installation.
- Boosts battery cranking power as much as 75%.

### BATTERY THERMAL WRAP — WITH THERMOSTAT

Thermostat range: 65°F - 80°F (18°C - 27°C)

| Model Number  | Volts | Watts | Length      |
|---------------|-------|-------|-------------|
| KBW5015T-000  | 120   | 50    | 26" (66cm)  |
| KBW5024T-000  | 240   | 50    | 26" (66cm)  |
| KBW8015T-000  | 120   | 80    | 44" (112cm) |
| KBW8024T-000  | 240   | 80    | 44" (112cm) |
| KBW10015T-000 | 120   | 100   | 56" (142cm) |
| KBW10024T-000 | 240   | 100   | 56" (142cm) |

Thermostatically controlled battery thermal wraps provide optimum heating regardless of ambient temperature.

- At 80°F (27°C), the battery will achieve maximum cold cranking amps.
- Battery is constantly maintained at 80°F (27°C).
- Provides greater heat rise than plates or pads.
- Thermostat will eliminate battery damage caused by overheating and acid spill.

## Battery Thermal Wrap

